
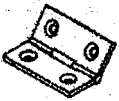



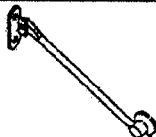


Specification:

Size: BTSSC: 88x88x37cm (approx.)

Weight: BTSSC 19.5kg (approx.) Material: PU Fabric, Non-woven black inner lining, Polyester foam filling

Contents:

①	3PCS		②	4PCS		③	8PCS	#8X1-1/8"
Connecting piece			HINGE			BLACK SCREW		
			 *ALREADY ON ITEMS					
④	22PCS	#8X3/4"	⑤	2PCS		⑥	2PCS	
SILVER SCREW			WOOD STICKS			PULL ROD		
			 *ALREADY ON ITEMS			 *ALREADY ON ITEMS		

WARNING!

- The product contains small parts which could poses a risk of choking hazard to young children. Keep small parts and packaging out of reach of small children and pets.

Safety Instructions:

- Before setting up, ensure the product is not damaged. If any part of the product is damaged, do not attempt to assemble and use.
- This product should only be used on steady level ground.
- KEEP AWAY** from fire and intense heat source.
- This product is intended for indoor use only.
- Never drag the surround when moving, always lift it.
- Children **MUST** always be supervised when using this product. Do not let Children open the lid themselves as it will need to be done with care and attention.
- Carry out regular checks to ensure the product is not damaged, screws have not loosened or are not missing.
- Product should not be used for any other reason then it is intended for. Furniture can be dangerous if incorrectly used. No liability will be accepted for damage or injuries caused by incorrect use of tis product.
- DO NOT** stand on the unit
- ALWAYS** ensure the lid is closed and not left hanging open. As this can put strain on the hinges and cause damage
- Presser **MUST NOT** be applied on the lid or the hinges. As this will damage the product
- DO NOT** allow the lid to fall or slam shut or open. Always hold the lid open.

Important Safety Information:

- When closing ensure the bubble tube is out of the way of the lids, you can slide the tube out of the way by pushing the base (do not move bubble tube using the tube) slowly close the larger side of the lid and then slide the bubble tube into position, again using the base not the tube, you can then carefully shut the smaller side. Ensure the tube is not in the way when closing.
- When opening the lids. Open the smaller side first, push the bubble tube over to the opened part, pushing from the base of the tube, not the tube itself, and then you can open the larger part of the lid.
- ALWAYS** ensure the bubble tube is fully out of the way before opening and closing the lids.

Cleaning Instructions

- To clean, wipe down with a sponge and warm soapy water and wipe with a clean, dry cloth.
- Never use scourers, abrasives, or chemical cleaner.

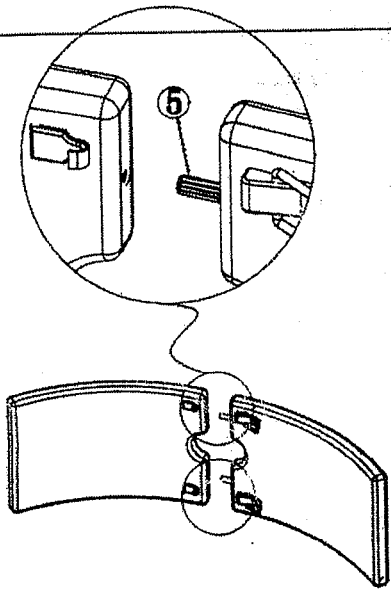
Please retain this information for future reference.
Made in China

Let's Talk 845.362.0638 x 102

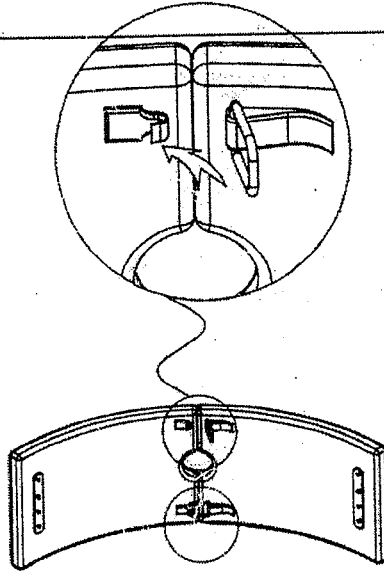
Visit Us At Playlearn.com

Playlearn Know. Grow. Smile.

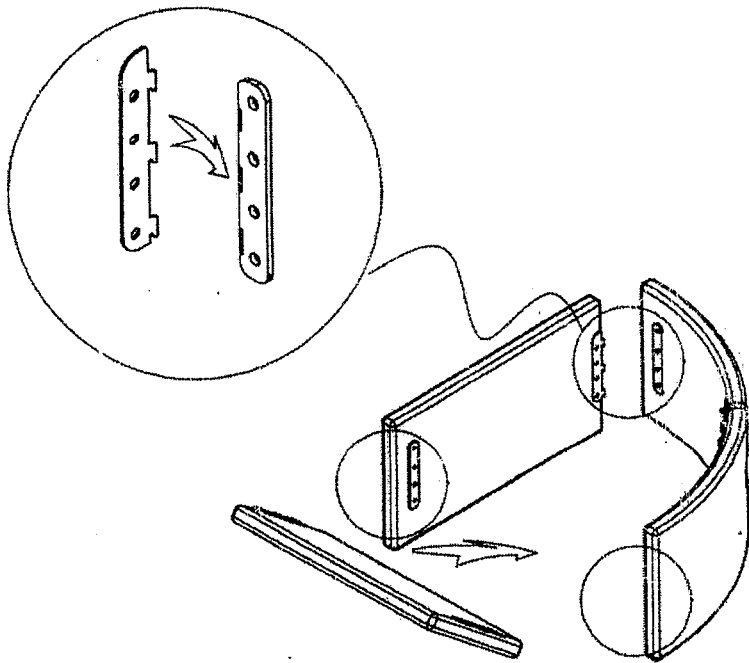
STEP: 1



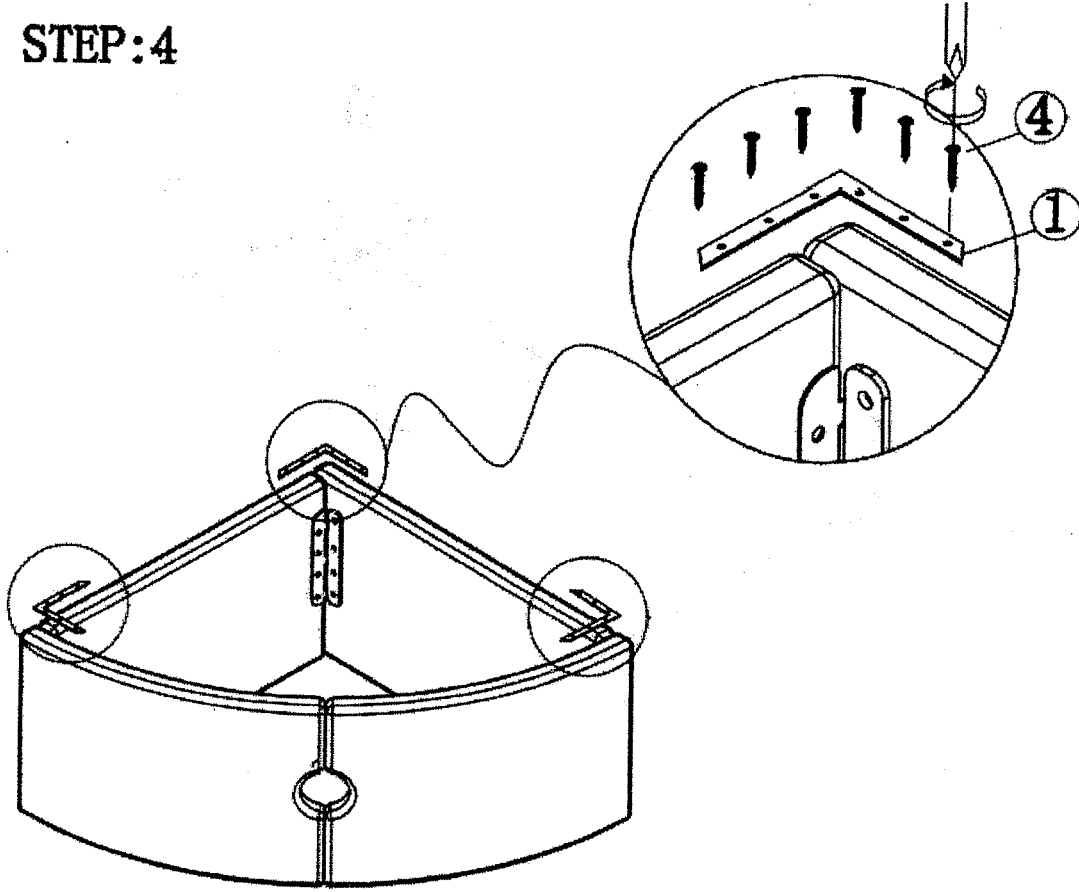
STEP: 2



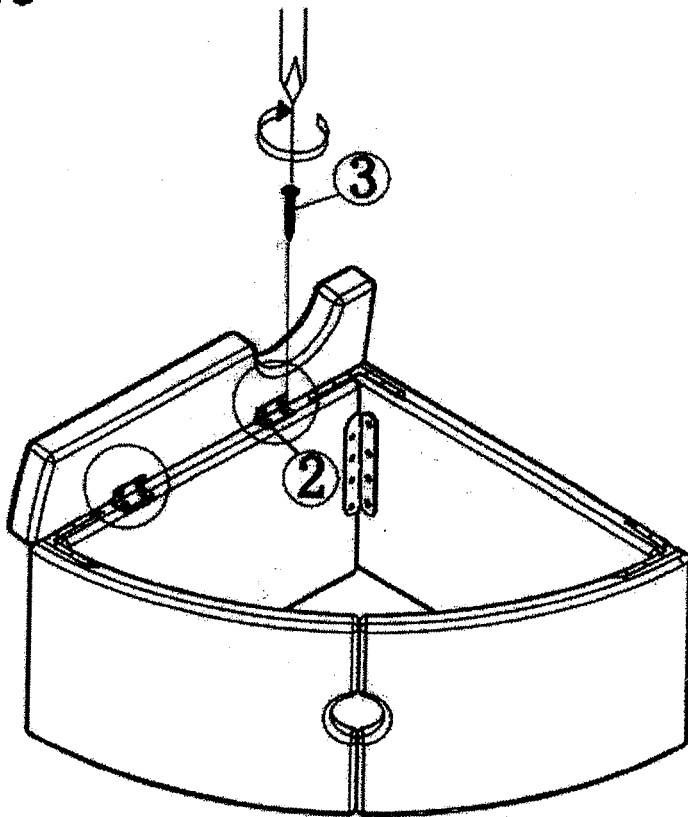
STEP: 3



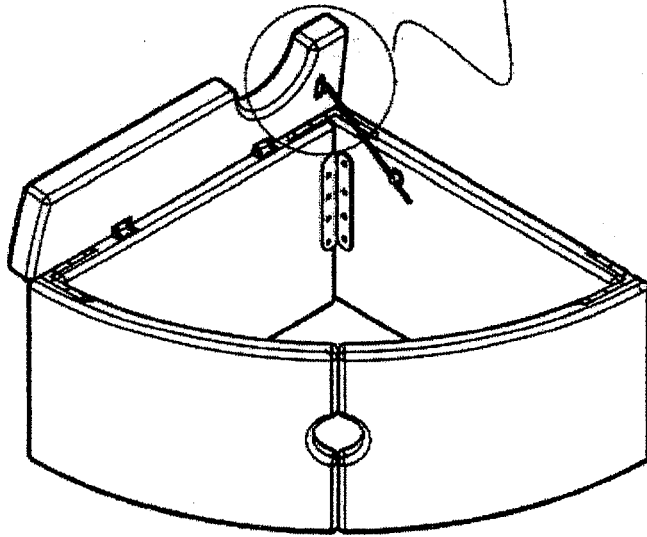
STEP:4



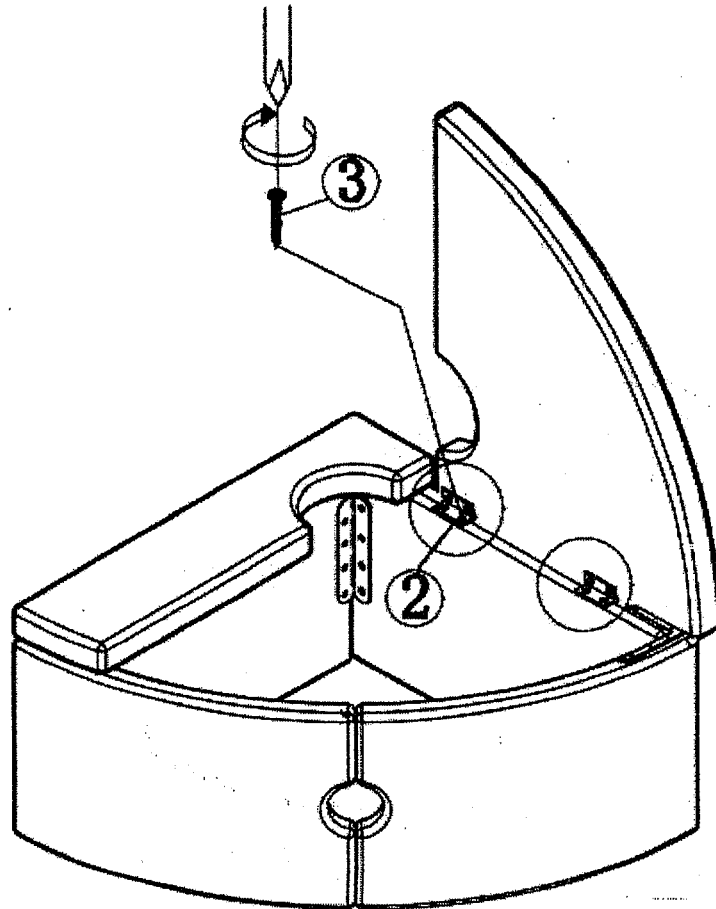
STEP:5



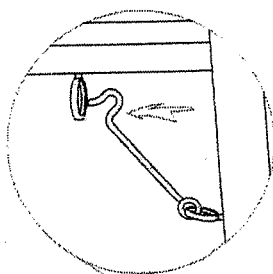
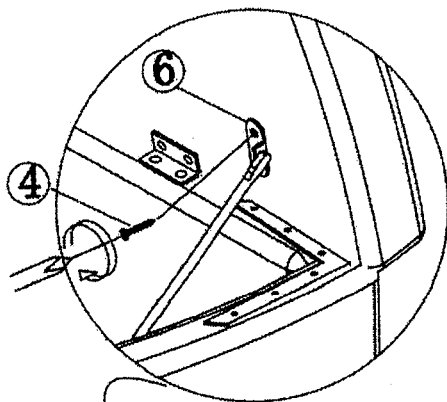
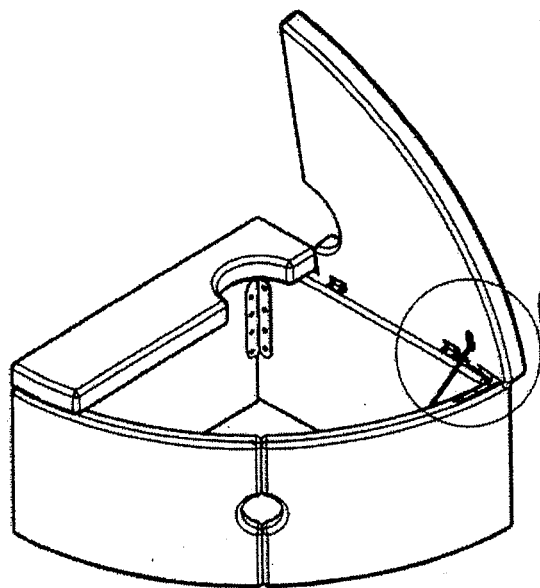
STEP:6



STEP:7



STEP:8



Use the hook to keep the lid shut, to prevent a child from opening it.

